



# HE-6R

## REMOTE HYDRA-EXTRACTOR®



The **Somat HE-6R Hydra-Extractor®** is one part of a Remote Pulping System. Standard features include a 2 HP drive motor and return pump. The main benefits of a Somat Remote Pulping System are **Reduction** and **Transportation**. A remote system connects food prep and scrapping areas together through a series of piping and transports food service waste to a remote extractor. The extractor removes the solids (pulp) and recirculates the water back to the grinding tanks. The pulping process provides an 8 to 1 volume reduction (up to 85%.) The pulp is fed into a Somat Dehydrator for additional reduction or directly into a dumpster. A remote pulping system eliminates the need for trash cans, liners and laborers to “take out the trash”.

### CAPACITY

1600 pounds per hour of foodservice waste mix, consisting of food scraps, plastics, milk cartons, paper, aluminum foil and cardboard.

### TECHNICAL SPECIFICATIONS

#### Hydra-Extractor:

- 2 HP TEFC drive motor
- 20:1 gear reducer
- 3 HP TEFC return pump
- Stainless 1.5" Square tube frame
- Chemical additive pump
- 6" stainless steel auger with nylon brush edge
- Reinforced stainless steel screens
- Automatic shutdown timer
- Automatic rinse system
- 17" Discharge chute with safety switch

#### Valve Package:

- All valves required for proper operation (automatic rinse system).

#### Som-A-Trol Electrical Control Panel:

- UL approved stainless steel NEMA 4 panel with all components pre-wired to internal terminal strip. Push Button control station on panel door (remote control station optional). Panel to be wall mounted with field connection to pulper mounted junction box.

### OPTIONS

- Extended discharge chute
- Hinged chute
- 5HP TEFC return pump
- Extended stand
- Pulp level detector

#### Special Requirements:

- Pulp Screw Conveyor and controls. Required to convey pulp from discharge chute to haul-away container when location of container does not permit gravity discharge.

#### Voltage Options:

- 208/60/3
- 230/60/3
- 460/60/3
- International options available, consult factory

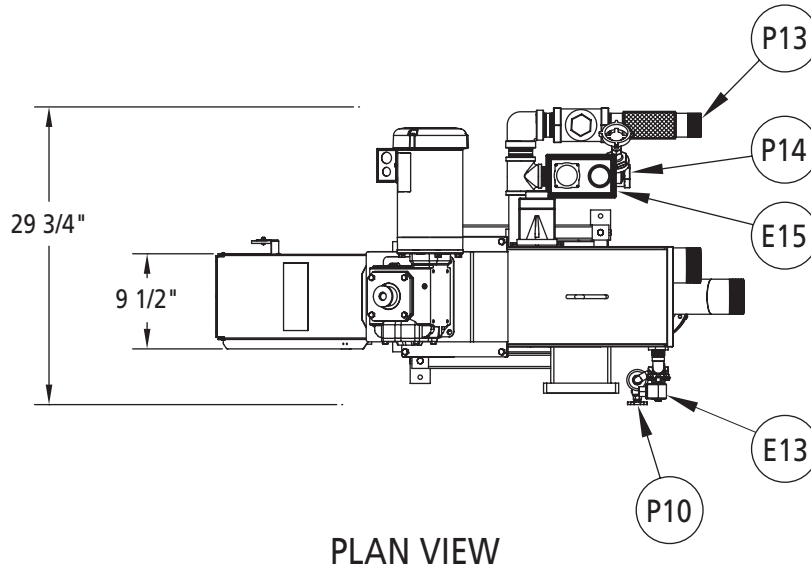
### FINISH

All exterior surfaces are stainless steel.

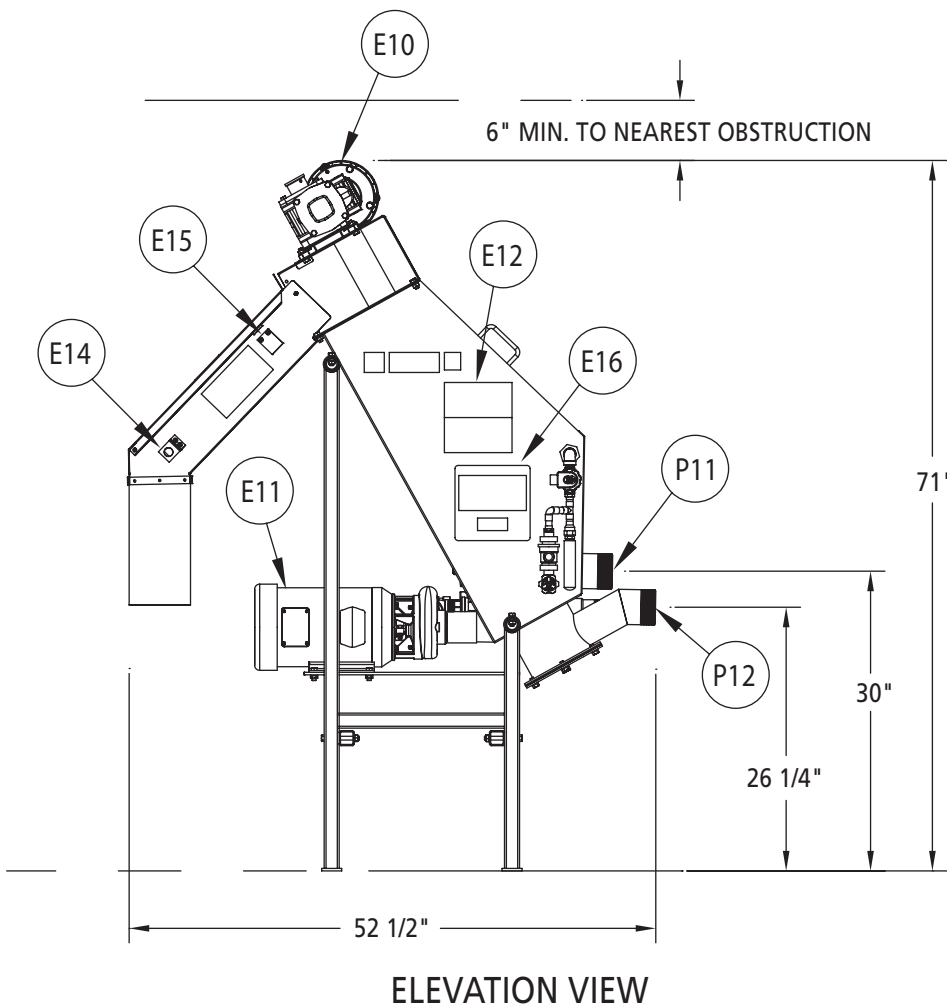
**The Power to Transform WASTEFUL to SUSTAINABLE**

# HE-6R

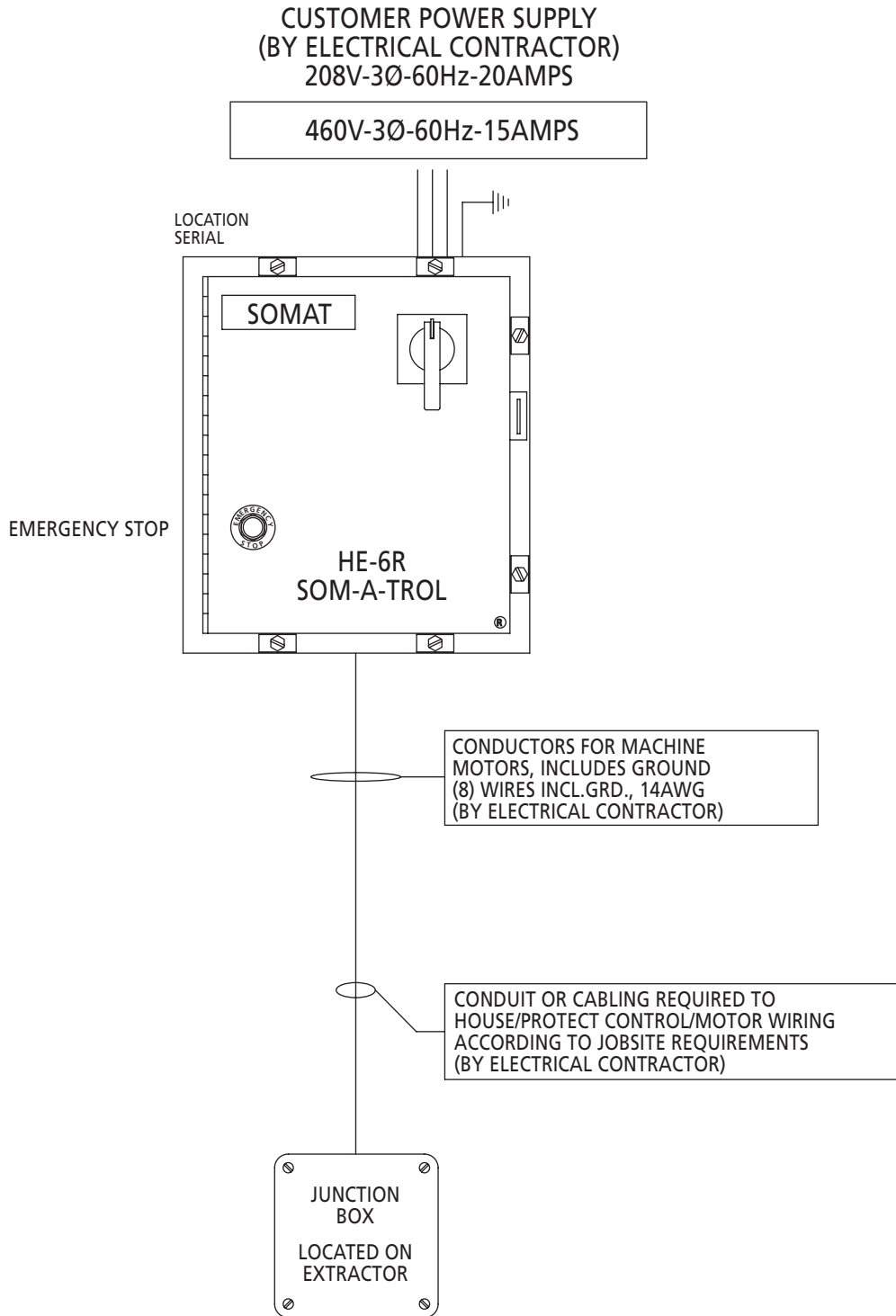
## REMOTE HYDRA-EXTRACTOR®



UTILITY CONNECTIONS	
E10	Extractor Drive Motor (3 HP)
E11	Return Pump Motor (3 HP)
E12	Chemical Additive Pump
E13	Fresh Hot Water Solenoid
E14	Pulp Level Detector
E15	Chute Limit Switch
E16	Autorinse MOV
E17	Junction Enclosure
P10	Fresh Hot Water Inlet
P11	Overflow Outlet
P12	Slurry Inlet
P13	Return Water Outlet
P14	Autorinse to Drain



DIMENSIONS	
Height	71" (1804mm)
Length	41" (1042mm) (Not including chute)
Width	30" (762mm)
Equipment Weight	525 lbs. (238kg)
Operating Weight	570 lbs. (259kg)
Crated Weight	725 lbs. (329kg)
Crated Volume	59 cu. ft.



OTHER UTILITY REQUIREMENTS	
Fresh Water	4 gpm @ 45 psig, 1/2" NPT (For clean out cycle only, approximately 40 gallons per cycle)
Drain	4" minimum floor sink with stainless steel removable basket recommended