



RMS SERIES MANUAL REVERSING DRUM SWITCH



For "F", "C," & "B" series disposers only.
(With Thermal Overloads On Motors)

APPLICATION:

- Provides manually operated reversing of disposer which doubles the life of impact bars and sizing ring. Use when magnetic contactor and overload protection are not required.

DESIGN AND CONSTRUCTION:

- NEMA4, watertight painted enclosure. Durable steel activating lever with positive stops for forward and reverse positions.

WARRANTY:

- One full year from date of purchase by end user, covering defects in material or workmanship; parts and labor included.



Underwriters Laboratories Inc.
LISTED

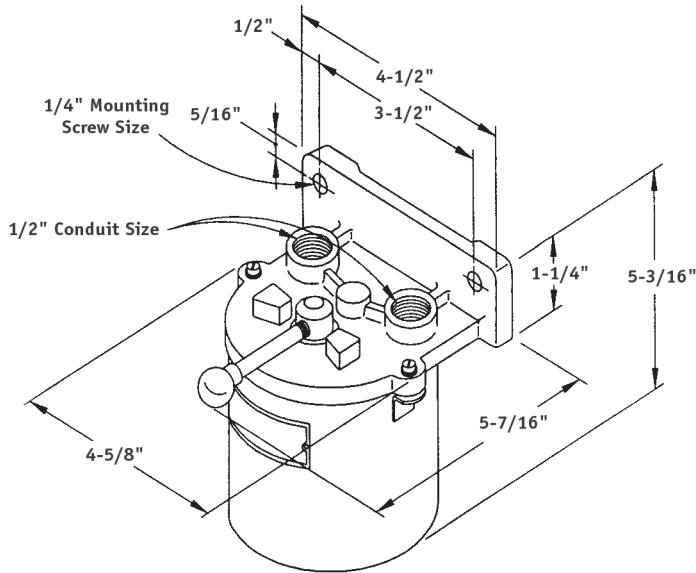


Canadian Standards Association
LISTED

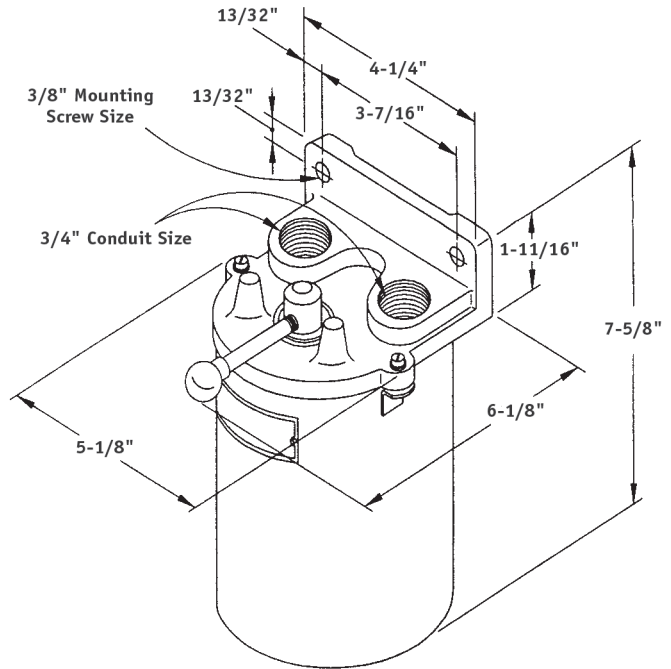
RMS SERIES MANUAL REVERSING DRUM SWITCH			
Model No.	HP Range	Voltage	PH
RMS-2	1/2 to 1 1/2 HP	115	1
	1/2 to 2 HP	230	1
	1/2 to 2 HP	208-230/460	3
RMS-3	3	208-230/460	3
RMS-5	2	115	1
	5	208-230/460	3

RMS SERIES

MANUAL REVERSING DRUM SWITCH



RMS-2



RMS-3 & RMS-5

SHIPPING DIMENSIONS AND WEIGHTS:

Model No.	WIDTH		DEPTH		HEIGHT		WEIGHT		VOLUME	
	in.	mm.	in.	mm	in.	mm	lbs.	kg	cu. ft.	cu. m
RMS-2	5	127	5	127	7	178	3	1	0.1	.01
RMS-3	7	178	6	152	9	229	5	2	0.2	.01
RMS-5	7	178	6	152	9	229	5	2	0.2	.01

Construction: Shall be NEMA4 watertight, cast aluminum and steel enclosure with top mounted lever actuator.

Approvals and Warranty: Shall be UL (Underwriters Laboratories, Inc.) listed. Warranty shall cover parts, labor and mileage on all components for one year.

***Specify HP, Voltage, and Phase when ordering.**

In line with its policy to continually improve its products, Master Disposers reserves the right to change materials and specifications without notice.