



# MS SERIES MANUAL ON/OFF SWITCH (NON-REVERSING)



**APPLICATION:**

- Economical non-reversing On/Off switch for use when magnetic contactor and overload protection are not required.

**DESIGN AND CONSTRUCTION:**

- NEMA4, watertight, cast aluminum housing and cover. Cast aluminum lever actuator with provision for lockout.

**WARRANTY:**

- One full year from date of purchase by end user, covering defects in material or workmanship; parts and labor included.

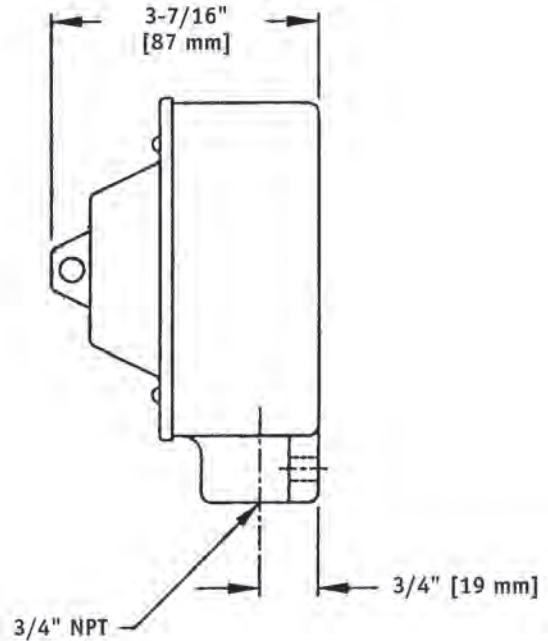
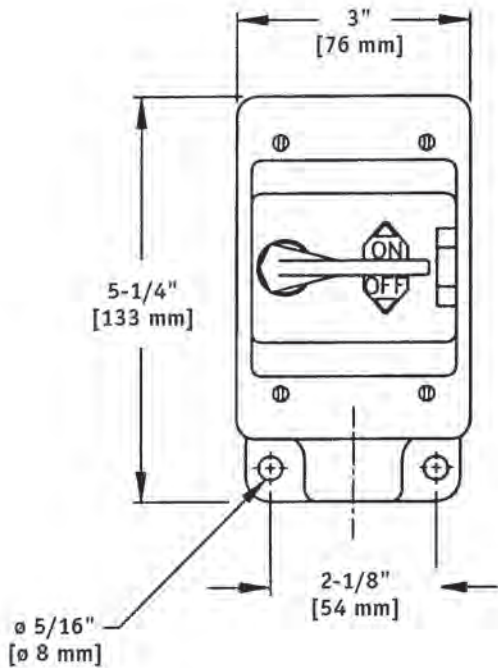


Underwriters Laboratories Inc. LISTED

| MS SERIES MANUAL ON/OFF SWITCH (NON-REVERSING) |          |                 |    |
|--|----------|-----------------|----|
| Model No.                                      | HP Range | Voltage         | PH |
| MS-1   | 1/2 to 2 | 115 or 230      | 1  |
| MS-2   | 1/2 to 5 | 208, 230 or 460 | 3  |

# MS SERIES

## MANUAL ON/OFF SWITCH (NON-REVERSING)



### SHIPPING DIMENSIONS AND WEIGHTS:

| Model No. | WIDTH |     | DEPTH |     | HEIGHT |    | WEIGHT |    | VOLUME  |       |
|-----------|-------|-----|-------|-----|--------|----|--------|----|---------|-------|
|           | in.   | mm. | in.   | mm  | in.    | mm | lbs.   | kg | cu. ft. | cu. m |
| MS-1      | 7     | 178 | 7     | 178 | 3      | 76 | 4      | 2  | .09     | .002  |
| MS-2      | 7     | 178 | 7     | 178 | 3      | 76 | 4      | 2  | .09     | .002  |

**Construction:** Shall be NEMA4 watertight, cast aluminum enclosure with lever actuator and lock out provisions.

**Approvals and Warranty:** Shall be UL (Underwriters Laboratories, Inc.) listed. Warranty shall cover parts, labor and mileage on all components for one year.

**\*Specify HP, Voltage, and Phase when ordering.**

*In line with its policy to continually improve its products, Master Disposers reserves the right to change materials and specifications without notice.*