



MASTER MP4/B-5 FOOD WASTE REDUCTION SYSTEM



The **MASTER MP4/B5** Food Waste Reduction System features a Master B-5 Food Grinder, MP4 Mini Press and a SOM-A-TROL control panel with pushbutton station. The grinder can be mounted in a trough, table or sink. Food waste enters the grinder and mixes with water where it is ground into a slurry. The slurry is automatically transported through a pipeline to the MP4 Mini Press, where water is removed and the resultant semi-dry pulp is discharged into a haul-away container. The extracted water can be recovered and returned to the grinder with an optional return pump. The **MP4/B5** Food Waste Reduction System can be engineered to fit in most scrapping areas, existing or new. It can even replace an current disposer. The MP4 Mini Press can be installed anywhere within 8 feet of the grinder, facing any direction, it can even fit under a table to maximize space.

STANDARD FEATURES

- **Food Grinder:** 5 HP food waste grinder, 10 $\frac{5}{8}$ " diameter turntable with an adjustable 45 degree angle impact breakers constructed of hardened ductile steel alloy. Matching sizing ring with 24 grinding teeth. 8 $\frac{1}{4}$ " throat opening allows for fast feeding. Flexible neoprene installation collar eliminates vibration. Bolt on motor and grind chamber allows replacement of all wearing parts without disturbing plumbing and electrical connections. Adjustable legs to level disposer and meet drain stub. Shaft extension with $\frac{3}{4}$ " wrench flats to externally de-jam foreign matter. Heavy cast alloy construction provides extra long life.
- **Mini Press:** $\frac{3}{4}$ HP drive motor. 6" stainless steel vertical auger with brush tipped flighting. Screen with .093" diameter holes. Discharge chute lid features a magnetic limit switch for safety. Can be configured to fit any floor plan.
- **Som-A-Trol® (Electrical Control Panel):** UL approved. Includes all necessary power, control and water level components prewired to a terminal strip. Push button station in a NEMA 4 stainless steel enclosure.
- **Valve Package:** Pre-piped to include all valves required for proper operation.

ELECTRICAL

- 208/230/460 volt, 3 Phase, 60 Hertz

CAPACITY

- 700 pounds per hour of food waste only.

OPTIONS

- Sink mount
- Bowl mount
- Trough mount with return pump

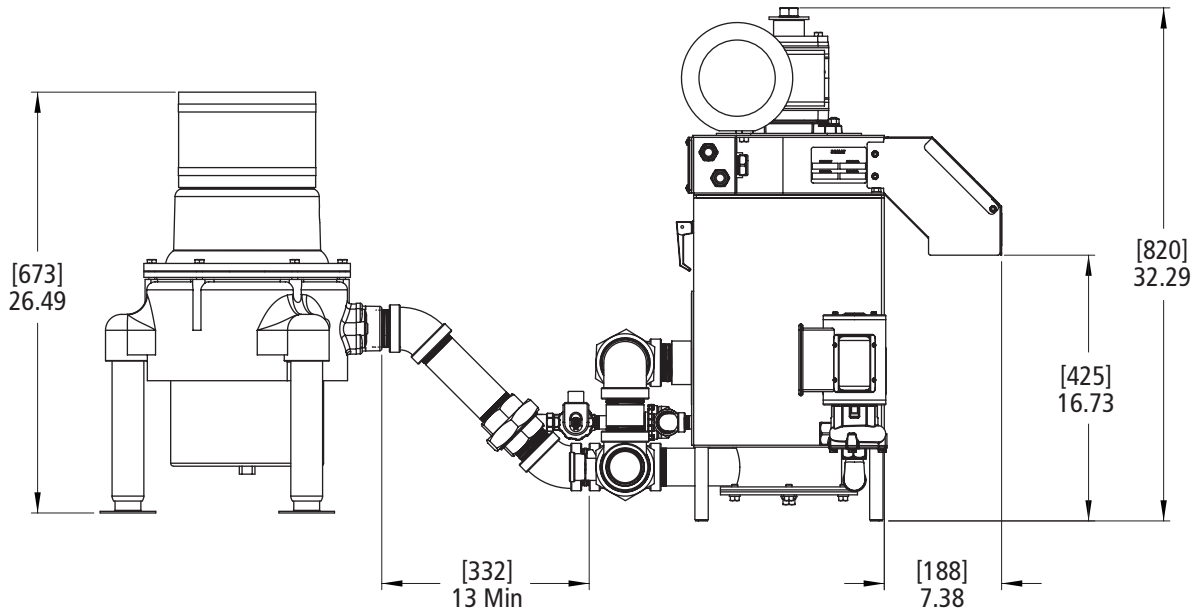
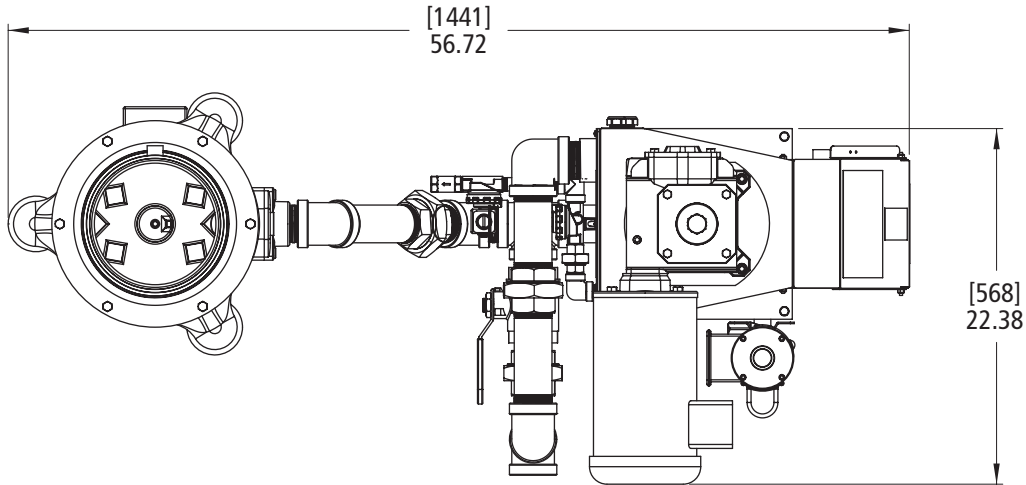
BENEFITS

- As much as 8 to 1 (85%) volume reduction
- Uses fresh water for sanitary areas
- Small footprint
- Keeps solids from municipal waste system
- Simple operation and maintenance

Equipment only is supplied by Master Disposers; installation, piping and wiring not included.

MASTER MP4/B-5

FOOD WASTE REDUCTION SYSTEM



UTILITY REQUIREMENTS

| | |
|-----------------------------|-----------------------------------|
| Power (Electric) Connection | 208V-25A; 460V-15A 3Ø 60Hz |
| Fresh Water Connection | ½" cold water @ 30 psi, 2 gpm |
| Drain Connection | 2" drain to 3" minimum floor sink |

SPECIFICATIONS

| | |
|-----------------|---|
| Treatable Items | Foodservice waste only |
| Safety Feature | Discharge chute limit switch |
| Capacity | 700 lb.s/hr. |
| Warranty | 1 year manufacturer's standard warranty |

In line with its policy to continually improve its products, Master Disposers reserves the right to change materials and specifications without notice.