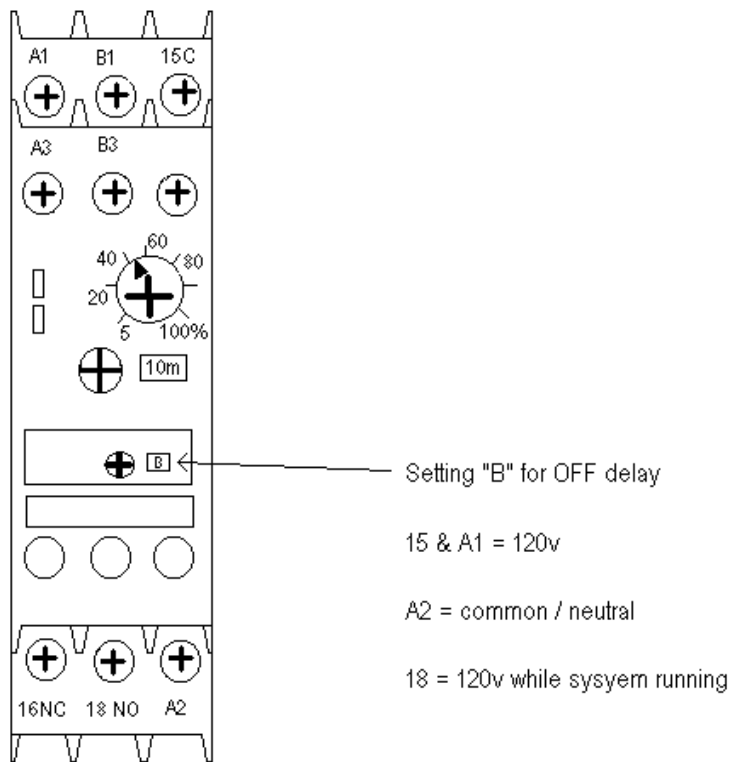


# Timer Sequence Of Operation

1. Power to "A1" and "A2" runs the adjustable 10 min time down.
2. With the "Empty / Run" switch in "Run" power is supplied to the timer control relay. This relay when closed allows power to "B1" activating the coil in the timer closing the switch from "15" to "18". This closes the circuit to the M1 main contactor.
3. Once the switch is turned to the "Empty" position CR3 falls out thus activating the timer for shut down. The unit operates for the set time limit and then contact is broken to "18" turning the unit off.
  - Additionally – with the "Empty / Run" switch in the "Empty" position the spray solenoid is activated during the time down period.



120v