

somat[®]

MP4 Mini Press



Description

The SOMAT MP4 mini press features an all stainless steel body and stand, a 3/4 HP drive motor, a 1/6 HP return pump (optional), and a SOM-A-TROL control panel with push-button station. The MP4 can be configured to fit any layout.

Benefits:

- As much as 8 to 1 (87%) volume reduction
- Recycles gray water (optional)
- Small footprint
- Keeps solids from municipal waste system
- Can be retrofitted to existing disposers¹

Operation: Foodservice waste enters the disposer's² grinding chamber via the feed bowl/trough where it mixes with water, is processed, and made into a slurry. The slurry, consisting of 5% solids and 95% water, is automatically transported through a pipeline to the Mini Press, where the water is removed and the resultant semi-dry pulp is discharged into a trashcan. The extracted water can then be recovered and returned to disposer for reuse (optional).

Somat equipment provides an economic and efficient answer to cutting the high and ever-increasing costs associated with waste handling. Equipment is manufactured by Somat Company of Lancaster, Pennsylvania, originators of waste pulping systems and specialists in waste reduction technology.

Item No: _____

SOMAT Model: MP4

Technical Specifications

Mini Press: ¾ HP drive motor. 6" stainless steel vertical auger with brush tipped flighting. Screen with .093" diameter holes. Discharge chute lid features a magnetic limit switch for safety. Can be configured to fit any floor plan.

SOM-A-TROL (Electrical Control Panel): UL approved. Includes all necessary electrical components prewired to a terminal strip, water level control, and push-button station, in a NEMA 4 enclosure.

Options Available:

- Special electrical characteristics
- Retrofit to existing disposer¹
- Return water from MP4 to disposer

Electrical Characteristics: 208/230/460 Volt, 3 Phase, 60 Hertz

Input Capacity: 900 lbs/hr of foodservice waste consisting of food scraps only.

Finish: All exterior surfaces, except where stainless steel or plastic, are powder coated.

Equipment only is supplied by SOMAT Company; installation and wiring not included.

¹ Contact SOMAT if mating to a non-SOMAT disposer so that accommodations can be made for the specific disposer.

² SOMAT recommends mating to a SOMAT B-5 disposer.

MP4 Specifications ▶



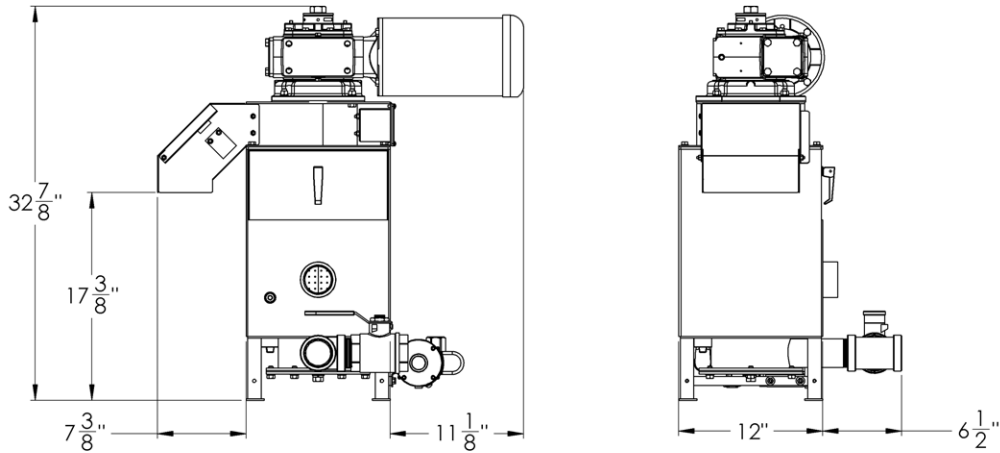
Somat Company
Division of ITW Food Equipment Group LLC
165 Independence Court
Lancaster, PA 17601 USA
Tel: 717-397-5100 Fax: 717-291-0877
1-800-237-6628
www.somatcompany.com

somat®

MP4 Mini Press

Item No: _____

SOMAT Model: MP4



Utility Requirements:

Power (Electric) Connection	208V-15A; 460V-15A 3Ø 60Hz
Fresh water Connection	1/2" cold water @ 30 psi, 2 gpm
Drain Connection	2" drain to 3" min. floor sink

Dimensions:

Height: 33"	Equipment weight: TBD lbs.
Depth: 30 1/2"	Crated weight: TBD lbs.
Width: 18 1/2"	

Specifications:

Treatable Items	Foodservice waste only
Safety Feature	Discharge chute limit switch
Capacity	900 lbs/hr
Warranty	1 year manufacturer's standard warranty

* Specification is subject to change without notice.



Somat Company
Division of ITW Food Equipment Group LLC
165 Independence Court
Lancaster, PA 17601 USA
Tel: 717-397-5100 Fax: 717-291-0877
1-800-237-6628
www.somatcompany.com